




ST521 DESCALING MACHINE





MODEL



DESCRIPTION

 Descaling machine for scaled fish species of different sizes. When ordering, please provide STEEN with the electrical specifications. Also inform us which fish species (preferably the scientific name) you would like to process including capacity.

 Descamadora para especies de pescado de diferentes tamaños. Al realizar el pedido, proporcione a STEEN las especificaciones eléctricas. También infórmenos de las especies de pescado (preferiblemente, el nombre científico) que le gustaría procesar, incluida la capacidad.

 Máquina descamadora de peixe para peixes de escama de tamanhos diferentes. Ao encomendar, avise a STEEN acerca das suas especificações elétricas. Informe também que espécies de peixes (de preferência o nome científico) desejará processar e a respetiva capacidade.

TECHNICAL DATA

FEATURE	DATA
Operators	1
Voltage range (1)	110 - 220V 50-60Hz
Power (1)	0,18kW (single)
Controls	-
LxWxH (2)	300x220x250 mm
Weight (3)	10 kg
Working width	-
Water usage	-
Water connection	-
Air usage	-
Air connection	-
Speed	-

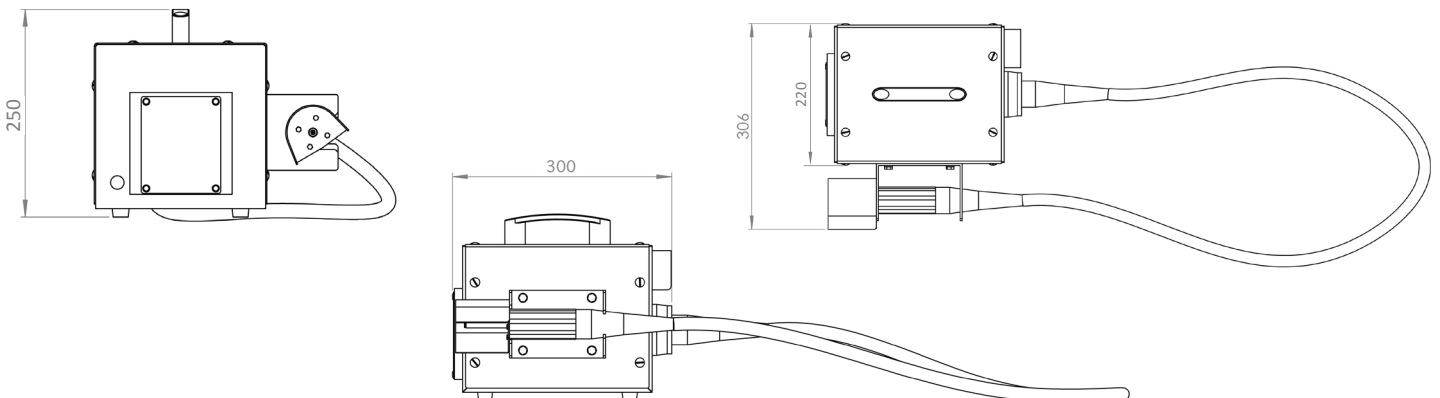
(1) depending on requested voltage

(2) 1mm = 0,03937 inches

(3) 1kg = 2,20462 pounds



FOOTPRINT



Due to the high degree of customization possibilities, technical data of the final product may vary.

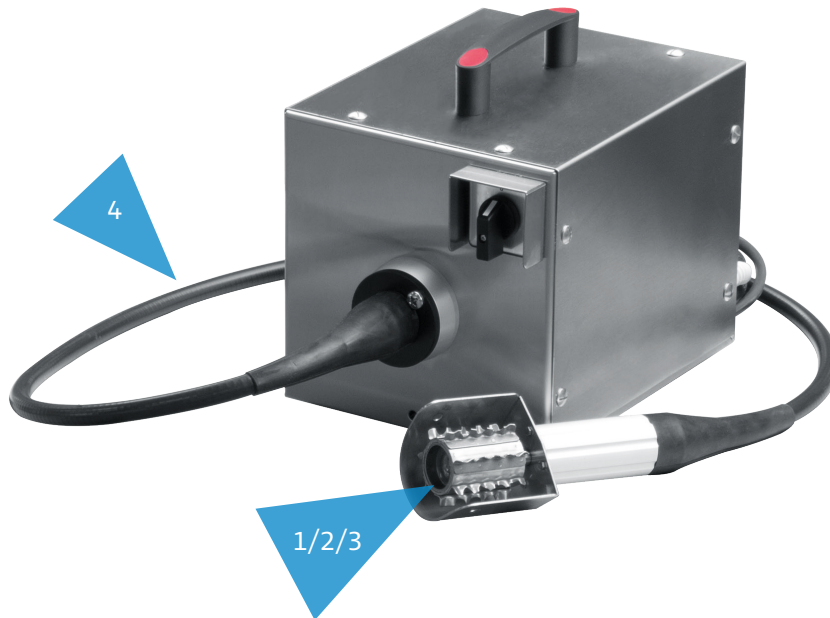


OPTIONS



ST521

DESCALING MACHINE



521/043	1
Small spindle head for small scales	

521/062	2
Medium spindle head for medium scales	

521/063	3
Large spindle head for large scales	

521/CABLE	4
Longer cable	

521/900	5
PVC dome to contain scales	

CUSTOMIZED	6
Tailor-made solution	

Due to the high degree of customization possibilities, technical data of the final product may vary.